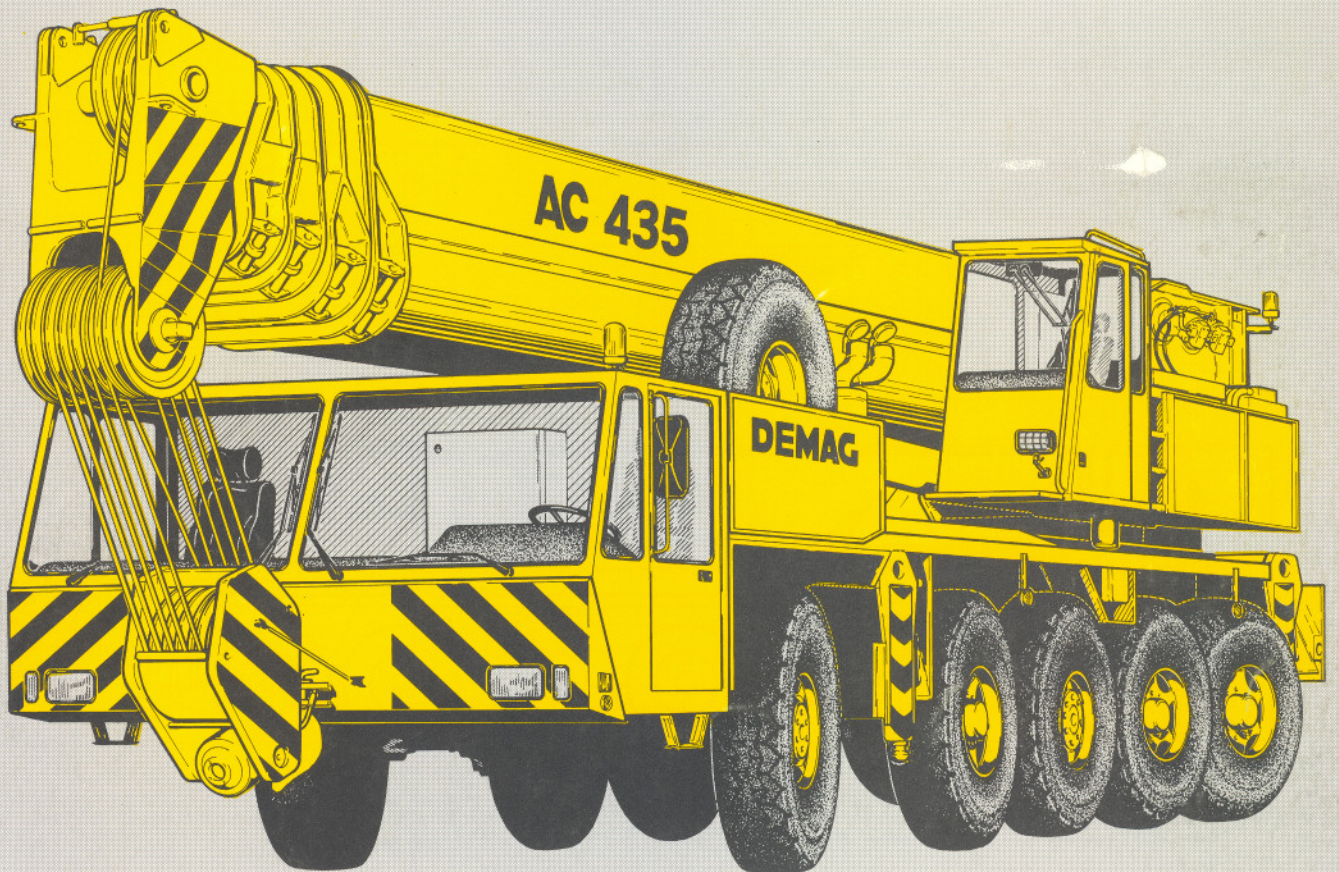


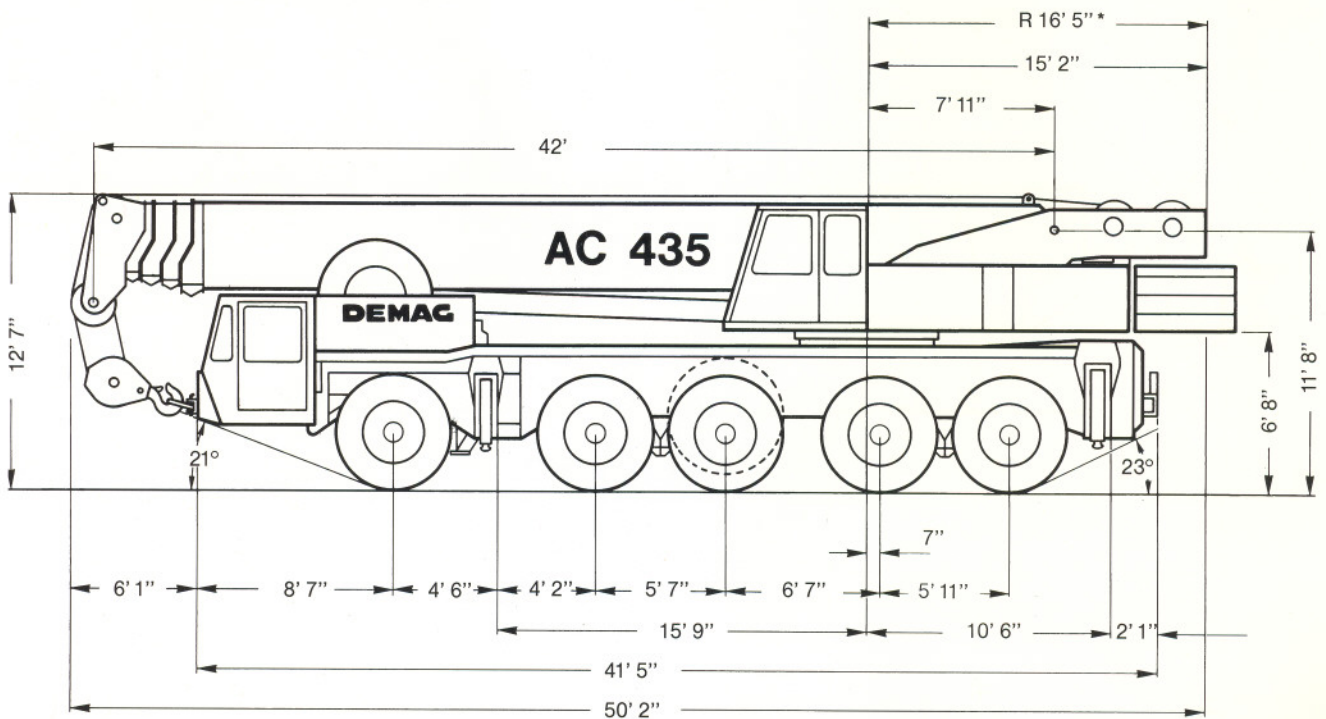
DEMAG
Material Handling Equipment

Mobile Cranes

180-Ton Telescopic Crane Demag AC 435

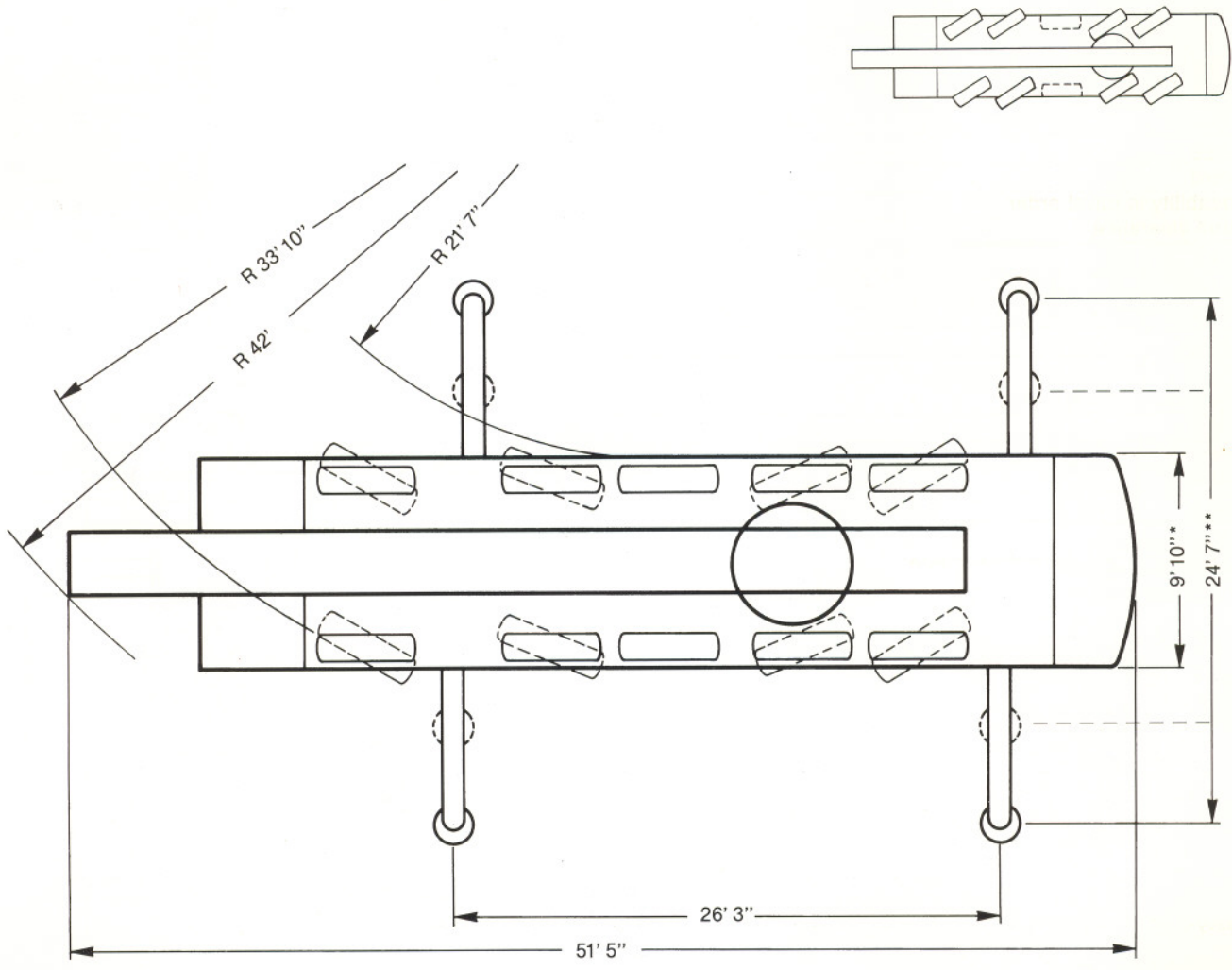


Dimensions



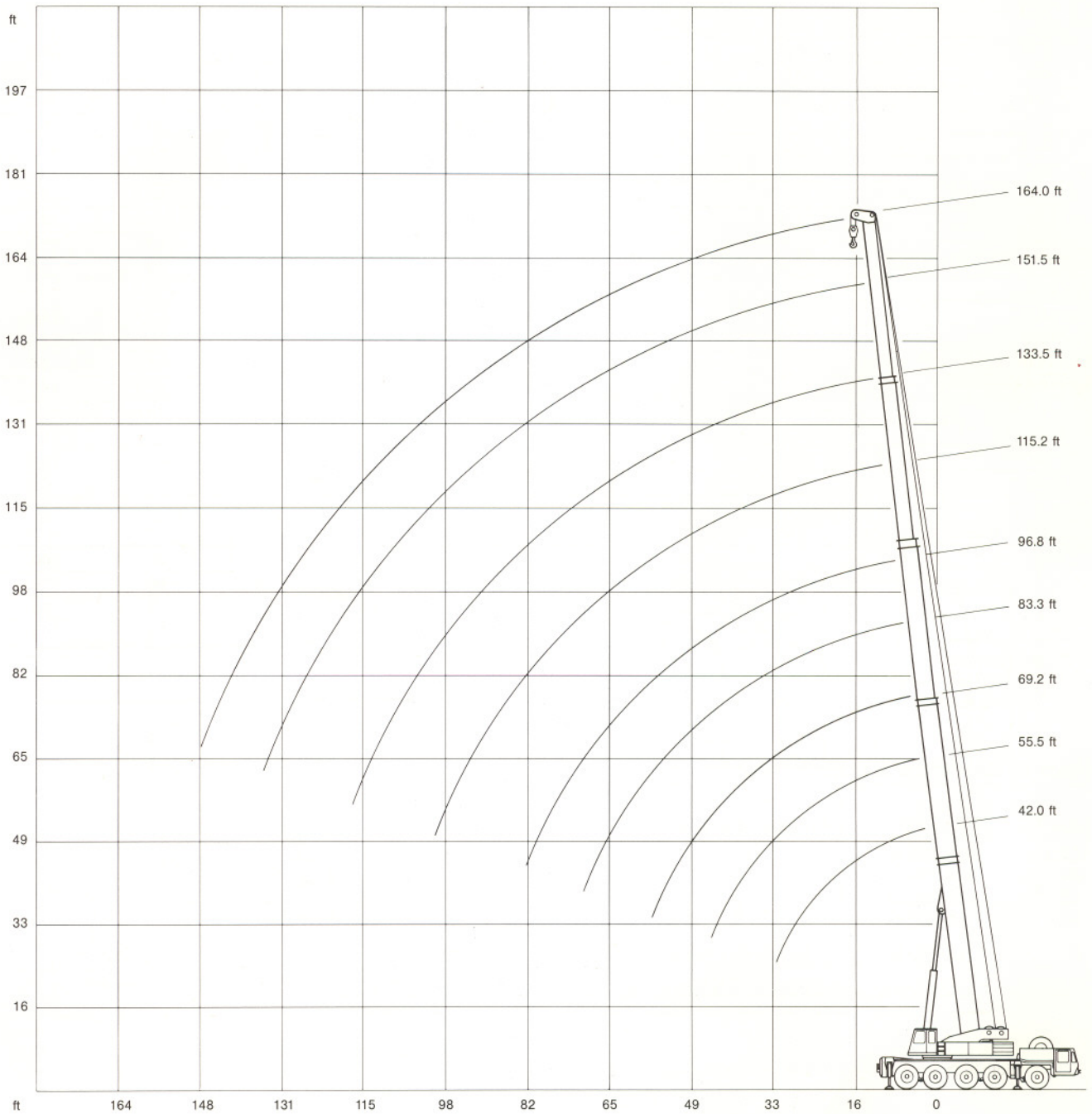
* Width with more than 59,000 lb of counterweight: 16' 5", tail swing: 16' 11"

Dimensions



* Width with more than 59,000 lb of counterweight: 16' 5"; tail swing: 16' 11"
** Duties for outrigger base 16' upon request

Working range main boom



Lifting capacities main boom in 1,000 lb

103,500 lb



360°

85 %

Radius ft	Main boom								
	42.0 ft	55.5 ft*	69.2 ft*	83.3 ft*	96.8 ft*	115.2 ft	133.5 ft	151.5 ft	164.0 ft
10.0	360.0 ¹⁾ / 327.0 ²⁾	198.0	-	-	-	-	-	-	-
11.0	308.0 ²⁾	198.0	198.0	-	-	-	-	-	-
13.0	277.0	198.0	198.0	165.0	132.0	-	-	-	-
15.0	251.0	198.0	198.0	164.5	132.0	-	-	-	-
16.0	243.0	198.0	198.0	161.0	132.0	83.5	-	-	-
19.0	215.0	198.0	194.5	149.5	132.0	83.5	79.0	-	-
23.0	180.5	178.0	175.0	134.5	123.5	83.5	79.0	61.5	-
26.0	159.5	156.5	155.0	124.5	116.5	83.5	78.0	61.5	46.2
29.0	141.0	139.5	137.5	116.0	109.5	83.5	75.5	61.5	46.2
33.0	-	120.5	118.5	105.5	100.5	83.5	71.5	61.0	46.2
39.0	-	98.0	96.5	91.5	88.0	75.5	66.5	57.5	46.2
46.0	-	-	75.0	77.0	75.5	67.0	60.5	53.3	46.2
52.0	-	-	61.5	63.0	62.5	60.5	55.7	49.2	44.2
59.0	-	-	-	51.2	50.8	54.5	50.5	44.3	41.4
65.0	-	-	-	43.5	42.9	48.4	45.8	40.7	38.6
72.0	-	-	-	-	35.8	41.4	41.5	36.9	35.5
79.0	-	-	-	-	29.9	35.5	35.7	33.6	32.2
85.0	-	-	-	-	-	31.3	31.5	30.7	29.4
92.0	-	-	-	-	-	27.2	27.4	27.4	26.8
98.0	-	-	-	-	-	24.4	24.6	24.4	24.2
105.0	-	-	-	-	-	-	21.3	21.3	20.9
111.0	-	-	-	-	-	-	19.1	18.9	18.7
118.0	-	-	-	-	-	-	-	16.7	16.1
124.0	-	-	-	-	-	-	-	14.9	14.3
131.0	-	-	-	-	-	-	-	13.0	12.4
138.0	-	-	-	-	-	-	-	-	10.9
144.0	-	-	-	-	-	-	-	-	9.5

Boom extension sequence

									%
Tele 1	0	45	90	68	90	60	75	90	100
Tele 2	0	0	0	68	90	60	75	90	100
Tele 3	0	0	0	0	0	60	75	90	100
Tele 4	0	0	0	0	0	60	75	90	100

*) Tele 1 pinned

1) static test load only

2) only over rear!

Duties above 220,000 lb with heavy-duty attachment only.

Lifting capacities main boom in 1,000 lb

59,500 lb



360°

85%

Radius ft	Main boom											over rear	
	42.0 ft	55.5 ft*	69.2 ft*	83.3 ft*	96.8 ft*		115.2 ft		133.5 ft	151.5 ft	164.0 ft	42.0 ft	69.2 ft
	1,000 lb											1,000 lb	
10.0	316.0	198.0	-	-	-	-	-	-	-	-	-	-	-
11.0	299.0	198.0	198.0	-	-	-	-	-	-	-	-	-	-
13.0	268.0	198.0	198.0	165.0	77.0	132.0	77.0	-	-	-	-	-	-
15.0	244.0	198.0	198.0	164.5	77.0	132.0	77.0	-	-	-	-	-	-
16.0	233.0	198.0	198.0	161.0	77.0	132.0	77.0	83.5	66.0	-	-	-	-
19.0	200.0	191.5	190.5	149.5	77.0	132.0	77.0	83.5	66.0	79.0	41.8	-	-
23.0	164.5	161.5	160.0	134.5	77.0	123.5	76.5	83.5	64.5	79.0	41.8	61.5	-
26.0	143.0	140.0	138.0	124.5	77.0	116.5	73.0	83.5	61.5	78.0	41.8	61.5	46.2
29.0	<u>125.5</u>	122.5	120.0	116.0	77.0	109.5	69.0	83.5	58.3	75.5	41.8	61.5	46.2
33.0	-	98.5	96.0	98.0	72.5	97.5	64.5	83.5	54.0	71.5	41.7	61.0	46.2
39.0	-	<u>73.5</u>	71.5	73.5	65.5	72.5	57.3	75.5	47.9	66.5	37.3	57.5	46.2
46.0	-	-	<u>53.2</u>	54.7	55.4	54.3	50.6	60.5	41.3	60.5	32.5	53.3	46.2
52.0	-	-	42.7	<u>44.2</u>	<u>48.0</u>	<u>43.6</u>	45.8	49.8	36.5	50.2	28.9	49.2	44.2
59.0	-	-	-	34.6	41.0	34.2	39.7	<u>40.2</u>	32.0	40.4	25.6	40.4	40.1
65.0	-	-	-	28.2	35.8	27.7	<u>35.2</u>	33.9	28.7	<u>34.3</u>	23.5	34.3	34.1
72.0	-	-	-	-	-	21.7	30.5	28.1	26.2	28.3	21.2	28.3	28.1
79.0	-	-	-	-	-	17.0	26.0	23.2	23.5	23.4	19.3	23.4	23.2
85.0	-	-	-	-	-	-	-	19.7	<u>21.9</u>	20.0	18.1	20.0	<u>19.7</u>
92.0	-	-	-	-	-	-	-	16.7	19.7	16.9	16.9	16.9	16.4
98.0	-	-	-	-	-	-	-	14.2	17.5	14.2	<u>15.7</u>	14.2	14.0
105.0	-	-	-	-	-	-	-	-	-	11.9	14.5	11.9	11.6
111.0	-	-	-	-	-	-	-	-	-	10.0	13.5	10.0	9.8
118.0	-	-	-	-	-	-	-	-	-	-	-	8.1	7.9
124.0	-	-	-	-	-	-	-	-	-	-	-	6.7	6.5
131.0	-	-	-	-	-	-	-	-	-	-	-	5.5	4.9
138.0	-	-	-	-	-	-	-	-	-	-	-	-	3.7
144.0	-	-	-	-	-	-	-	-	-	-	-	-	2.7

Boom extension sequence

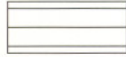
														%	
Tele 1	0	45	90	68	0	90	0	60	0	75	0	90	100	0	90
Tele 2	0	0	0	68	45	90	60	60	80	75	100	90	100	0	0
Tele 3	0	0	0	0	45	0	60	60	80	75	100	90	100	0	0
Tele 4	0	0	0	0	45	0	60	60	80	75	100	90	100	0	0

*) Tele 1 pinned

Duties above 220,000 lb with heavy-duty attachment only.

Lifting capacities main boom in 1,000 lb

42,000 lb



360°

85%

Radius ft	Main boom												over rear	
	42.0 ft	55.5 ft*	69.2 ft*	83.3 ft*	96.8 ft*		115.2 ft		133.5 ft	151.5 ft	164.0 ft	42.0 ft	69.2 ft	
	1,000 lb												1,000 lb	
10.0	310.0	198.0	-	-	-	-	-	-	-	-	-	-	-	-
11.0	292.0	198.0	198.0	-	-	-	-	-	-	-	-	-	-	-
13.0	264.0	198.0	198.0	165.0	77.0	132.0	77.0	-	-	-	-	-	-	-
15.0	237.0	198.0	198.0	164.5	77.0	132.0	77.0	-	-	-	-	-	36.9	33.6
16.0	224.0	198.0	198.0	161.0	77.0	132.0	77.0	83.5	66.0	-	-	-	34.6	31.1
19.0	190.0	183.0	182.0	149.5	77.0	132.0	77.0	83.5	66.0	79.0	41.8	-	28.6	25.3
23.0	152.0	148.5	146.5	134.5	77.0	123.5	76.5	83.5	64.5	79.0	41.8	59.5	22.4	18.9
26.0	127.0	122.5	119.5	121.0	77.0	116.5	73.0	83.5	61.5	78.0	41.8	59.5	44.0	19.0
29.0	<u>104.5</u>	100.0	97.0	99.5	77.0	98.0	69.0	83.5	58.3	75.5	41.8	59.5	44.0	15.9
33.0	-	<u>78.5</u>	76.0	78.0	72.5	77.0	64.5	83.0	54.0	71.5	41.7	58.7	44.0	-
39.0	-	58.1	<u>55.7</u>	<u>57.7</u>	<u>65.0</u>	<u>56.8</u>	57.3	64.0	47.9	63.5	37.3	55.1	44.0	-
46.0	-	-	39.5	41.3	49.5	40.9	<u>50.1</u>	<u>47.5</u>	41.3	47.9	32.5	47.9	43.8	-
52.0	-	-	30.5	32.2	40.2	31.4	40.6	38.2	36.3	<u>38.4</u>	28.9	38.4	37.9	-
59.0	-	-	-	23.6	32.0	23.2	32.4	30.0	31.7	30.2	25.6	<u>30.2</u>	<u>30.0</u>	-
65.0	-	-	-	18.7	26.7	17.9	27.2	24.7	<u>27.7</u>	25.0	23.5	25.0	24.7	-
72.0	-	-	-	-	-	13.1	22.6	19.5	23.0	19.7	20.7	19.7	19.5	-
79.0	-	-	-	-	-	9.3	18.5	15.5	19.0	15.7	<u>19.0</u>	15.7	15.5	-
85.0	-	-	-	-	-	-	-	12.7	16.0	12.9	16.4	12.9	12.7	-
92.0	-	-	-	-	-	-	-	10.1	13.4	10.3	13.8	10.3	9.8	-
98.0	-	-	-	-	-	-	-	8.2	11.5	8.3	11.8	8.3	8.0	-
105.0	-	-	-	-	-	-	-	-	-	6.3	9.9	6.1	5.9	-
111.0	-	-	-	-	-	-	-	-	-	4.7	8.3	4.7	4.5	-
118.0	-	-	-	-	-	-	-	-	-	-	-	3.3	2.8	-

Boom extension sequence

														%	
Tele 1	0	45	90	68	0	90	0	60	0	75	0	90	100	0	90
Tele 2	0	0	0	68	45	90	60	60	80	75	100	90	100	0	0
Tele 3	0	0	0	0	45	0	60	60	80	75	100	90	100	0	0
Tele 4	0	0	0	0	45	0	60	60	80	75	100	90	100	0	0

*) Tele 1 pinned

Duties above 220,000 lb with heavy-duty attachment only.

Lifting capacities main boom in 1,000 lb

24,200 lb



360°

85%

Radius ft	Main boom												over rear		
	42.0 ft	55.5 ft*	69.2 ft*	83.3 ft*	96.8 ft*		115.2 ft		133.5 ft		151.5 ft		164.0 ft	42.0 ft	69.2 ft
	1,000 lb														
10.0	303.0	198.0	-	-	-	-	-	-	-	-	-	-	-	-	-
11.0	287.0	198.0	198.0	-	-	-	-	-	-	-	-	-	-	-	-
13.0	257.0	198.0	198.0	165.0	77.0	132.0	77.0	-	-	-	-	-	-	-	-
15.0	230.0	198.0	198.0	164.5	77.0	132.0	77.0	-	-	-	-	-	-	33.1	29.4
16.0	216.0	198.0	198.0	161.0	77.0	132.0	77.0	83.5	66.0	-	-	-	-	30.9	27.3
19.0	180.5	175.0	173.5	149.5	77.0	132.0	77.0	83.5	66.0	77.0	41.8	-	-	25.2	21.7
23.0	138.0	133.0	129.5	132.5	77.0	123.0	76.5	83.5	64.5	77.0	41.8	57.3	-	19.3	15.8
26.0	<u>108.5</u>	103.5	100.5	103.5	77.0	102.0	73.0	83.5	61.5	76.0	41.8	57.3	42.9	16.1	12.4
29.0	88.0	<u>84.0</u>	81.0	83.5	77.0	82.5	69.0	83.5	58.3	74.0	41.8	55.2	42.9	13.2	9.7
33.0	-	64.5	<u>62.0</u>	<u>64.0</u>	<u>72.0</u>	<u>63.5</u>	64.5	72.0	54.0	70.5	41.7	52.3	42.9	-	6.7
39.0	-	46.1	43.4	45.4	54.4	45.0	<u>54.8</u>	<u>52.5</u>	47.9	52.9	37.3	49.9	42.9	-	3.2
46.0	-	-	29.8	31.8	40.0	31.2	40.6	38.0	41.3	<u>38.4</u>	32.5	<u>38.4</u>	38.0	-	-
52.0	-	-	21.8	23.6	31.9	22.7	32.6	29.9	<u>33.2</u>	30.2	28.9	30.2	<u>29.9</u>	-	-
59.0	-	-	-	16.3	24.9	15.7	25.6	22.7	26.2	23.2	25.6	23.2	22.9	-	-
65.0	-	-	-	12.1	20.3	9.4	21.1	18.1	21.6	18.3	<u>22.1</u>	18.3	18.1	-	-
72.0	-	-	-	-	-	7.1	16.8	13.7	17.3	13.9	17.7	13.9	13.7	-	-
79.0	-	-	-	-	-	4.3	13.3	10.4	13.7	10.6	14.2	10.6	10.2	-	-
85.0	-	-	-	-	-	-	-	8.0	11.5	8.2	12.0	8.2	8.0	-	-
92.0	-	-	-	-	-	-	-	5.9	9.2	6.1	9.6	5.9	5.6	-	-
98.0	-	-	-	-	-	-	-	4.3	7.6	4.3	7.8	4.3	4.0	-	-
105.0	-	-	-	-	-	-	-	-	-	2.6	6.1	2.6	2.2	-	-
111.0	-	-	-	-	-	-	-	-	-	-	4.9	-	-	-	-

Boom extension sequence


															%	
Tele 1	0	45	90	68	0	90	0	60	0	75	0	90	100	0	90	
Tele 2	0	0	0	68	45	90	60	60	80	75	100	90	100	0	0	
Tele 3	0	0	0	0	45	0	60	60	80	75	100	90	100	0	0	
Tele 4	0	0	0	0	45	0	60	60	80	75	100	90	100	0	0	

*) Tele 1 pinned

Duties above 220,000 lb with heavy-duty attachment only.

Lifting capacities main boom in 1,000 lb

0 lb   360° 85%

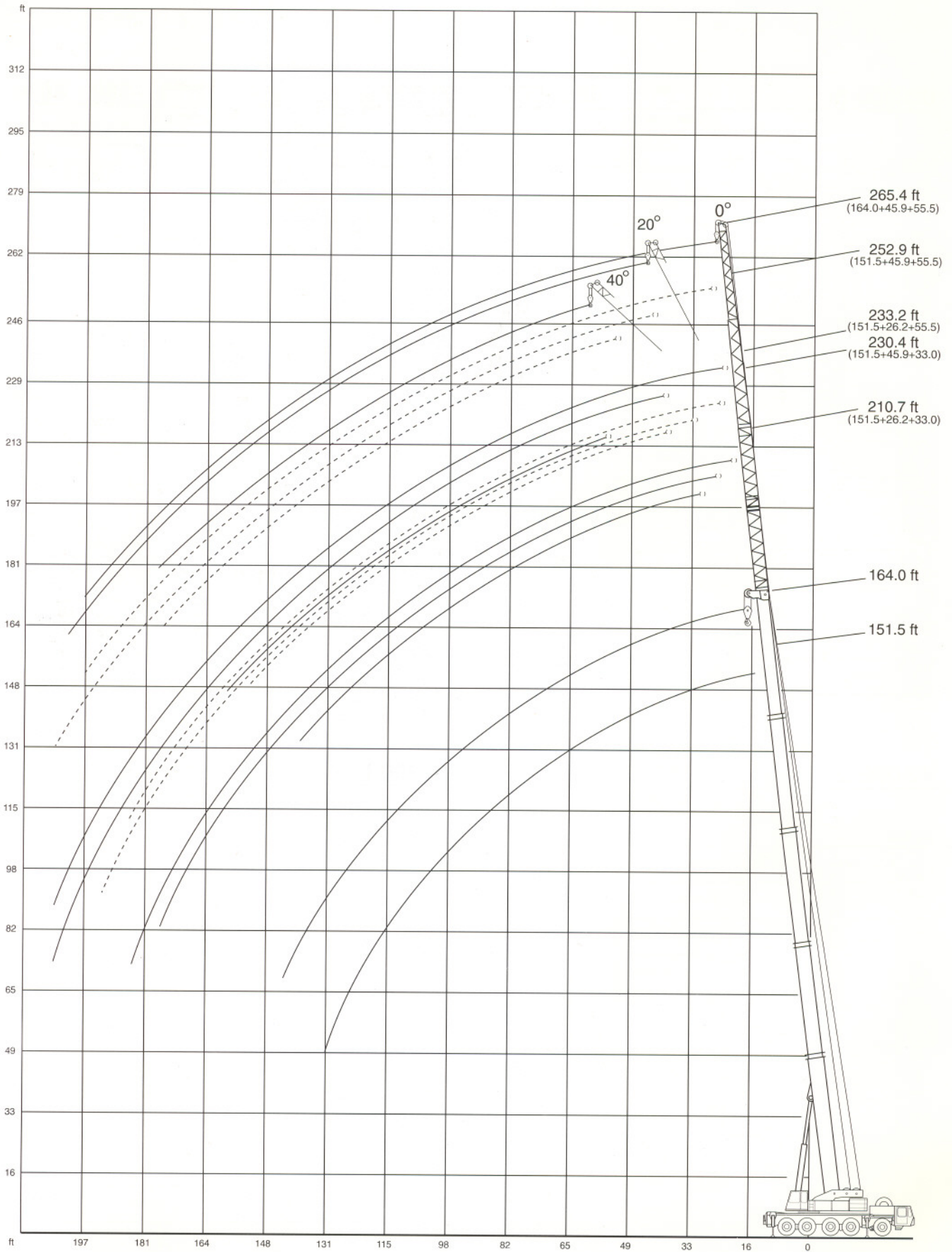
Radius ft	Main boom												 over rear			
	42.0 ft	55.5 ft*	69.2 ft*	83.3 ft*	96.8 ft*		115.2 ft		133.5 ft	151.5 ft	164.0 ft	42.0 ft	69.2 ft			
	1,000 lb													1,000 lb		
10.0	297.0	198.0	-	-	-	-	-	-	-	-	-	-	-	-	-	-
11.0	279.0	198.0	198.0	-	-	-	-	-	-	-	-	-	-	-	-	-
13.0	246.0	198.0	198.0	165.0	77.0	132.0	77.0	-	-	-	-	-	-	-	-	-
15.0	216.0	197.5	197.0	164.5	77.0	132.0	77.0	-	-	-	-	-	-	24.8	21.1	-
16.0	201.0	193.5	192.0	161.0	77.0	132.0	77.0	83.5	66.0	-	-	-	-	22.8	19.1	-
19.0	<u>143.5</u>	<u>138.5</u>	<u>135.0</u>	<u>131.5</u>	77.0	<u>125.0</u>	77.0	83.5	66.0	74.5	41.8	-	-	18.0	14.1	-
23.0	91.5	86.5	84.0	86.5	77.0	85.5	76.5	83.5	64.5	74.5	41.8	52.9	-	12.9	9.2	-
26.0	70.0	65.0	62.5	65.0	<u>74.5</u>	64.5	73.0	<u>72.5</u>	61.5	<u>72.5</u>	41.8	52.9	41.8	10.1	6.4	-
29.0	55.2	50.7	48.0	50.3	60.0	49.8	<u>60.5</u>	58.2	58.3	58.6	41.8	<u>52.9</u>	41.8	7.8	3.9	-
33.0	-	37.5	34.9	37.0	45.8	36.6	46.7	43.9	<u>47.6</u>	44.3	41.6	41.9	<u>38.3</u>	-	-	-
39.0	-	25.2	23.2	25.0	32.9	24.1	33.4	31.0	34.1	31.4	<u>34.6</u>	31.3	30.8	-	-	-
46.0	-	-	14.2	15.8	23.3	15.3	23.7	21.3	24.6	21.7	25.0	21.7	21.5	-	-	-
52.0	-	-	9.0	10.7	17.8	10.3	18.3	16.0	19.1	16.3	19.6	16.3	16.1	-	-	-
59.0	-	-	-	5.9	13.2	5.1	13.7	11.5	14.3	11.7	15.0	11.7	11.2	-	-	-
65.0	-	-	-	2.7	10.4	-	10.8	8.6	11.5	8.8	11.9	8.8	8.2	-	-	-
72.0	-	-	-	-	-	-	8.2	5.3	8.6	5.5	8.8	5.5	5.1	-	-	-
79.0	-	-	-	-	-	-	5.8	3.0	6.3	3.2	6.7	3.2	2.7	-	-	-
85.0	-	-	-	-	-	-	-	-	4.7	-	4.9	-	-	-	-	-
92.0	-	-	-	-	-	-	-	-	2.8	-	3.2	-	-	-	-	-

Boom extension sequence														%	
Tele 1	0	45	90	68	0	90	0	60	0	75	0	90	100	0	90
Tele 2	0	0	0	68	45	90	60	60	80	75	100	90	100	0	0
Tele 3	0	0	0	0	45	0	60	60	80	75	100	90	100	0	0
Tele 4	0	0	0	0	45	0	60	60	80	75	100	90	100	0	0

*) Tele 1 pinned

Duties above 220,000 lb with heavy-duty attachment only.

Working range special main boom extension + 26.2/45.9 ft insert



Lifting capacities special main boom extension

151.5 ft main boom + 26.2 ft insert

103,500 lb   **360° 85%**

Radius ft	Extension					
	33.0 ft			55.5 ft		
	0°	20°	40°	0°	20°	40°
	1,000 lb			1,000 lb		
29.0	20.9	-	-	-	-	-
33.0	20.9	-	-	14.5	-	-
39.0	20.9	-	-	14.5	-	-
46.0	20.9	17.4	-	14.5	-	-
52.0	19.9	17.4	14.7	14.5	-	-
59.0	18.9	16.5	14.7	14.5	11.6	9.2
65.0	18.1	15.7	14.1	14.1	11.6	9.2
72.0	17.2	14.7	13.4	13.4	11.2	9.2
79.0	16.2	13.8	12.7	12.7	10.5	9.2
85.0	15.6	13.2	12.3	12.3	10.1	9.0
92.0	14.7	12.5	11.8	11.6	9.6	8.5
98.0	14.1	12.1	11.4	11.2	9.2	8.3
105.0	13.4	11.4	11.0	10.8	9.0	8.1
111.0	12.8	11.0	10.6	10.3	8.6	7.7
118.0	12.1	10.5	10.1	9.9	8.3	7.4
124.0	11.5	10.1	9.7	9.5	7.9	7.2
131.0	10.8	9.7	9.4	9.0	7.7	7.0
138.0	9.8	9.2	9.0	8.5	7.4	6.8
144.0	8.6	8.8	-	8.3	7.2	6.6
151.0	7.2	8.1	-	7.9	7.0	6.3
157.0	6.2	6.9	-	7.5	6.6	6.1
164.0	5.2	5.7	-	6.8	6.3	-
170.0	4.4	4.9	-	6.0	6.1	-
177.0	3.5	3.9	-	5.0	5.9	-
184.0	2.8	-	-	4.3	5.0	-
190.0	-	-	-	3.5	4.2	-
197.0	-	-	-	2.8	3.5	-
203.0	-	-	-	2.2	2.9	-

151.5 ft main boom + 45.9 ft insert

103,500 lb   **360° 85%**

Radius ft	Extension								
	33.0 ft			55.5 ft			55.5 ft*		
	0°	20°	40°	0°	20°	40°	0°	20°	40°
	1,000 lb			1,000 lb			1,000 lb		
29.0	-	-	-	-	-	-	-	-	-
33.0	14.9	-	-	-	-	-	-	-	-
39.0	14.9	-	-	11.4	-	-	6.6	-	-
46.0	14.3	13.0	-	11.4	-	-	6.6	-	-
52.0	13.7	13.0	-	11.2	-	-	6.6	-	-
59.0	13.0	12.1	10.8	10.8	8.8	-	6.6	-	-
65.0	12.6	11.5	10.4	10.4	8.8	-	6.6	6.6	-
72.0	11.9	10.8	9.7	9.9	8.6	6.8	6.6	6.6	-
79.0	11.4	10.1	9.2	9.6	8.3	6.8	6.6	6.6	5.9
85.0	10.8	9.7	8.8	9.2	8.1	6.6	6.6	6.6	5.9
92.0	10.3	9.0	8.3	8.8	7.7	6.3	6.6	6.6	5.9
98.0	9.9	8.6	7.9	8.6	7.5	6.1	6.6	6.6	5.9
105.0	9.4	8.1	7.7	8.1	7.2	6.1	6.6	6.6	5.7
111.0	9.0	7.7	7.3	7.7	6.8	5.9	6.6	6.4	5.5
118.0	8.6	7.4	7.0	7.4	6.6	5.7	6.6	6.1	5.2
124.0	8.2	7.1	6.6	7.1	6.2	5.5	6.6	5.9	5.0
131.0	7.7	6.8	6.4	6.8	5.9	5.2	6.6	5.7	5.0
138.0	7.2	6.3	6.1	6.3	5.7	5.0	6.3	5.5	4.8
144.0	6.8	6.1	5.7	6.1	5.3	4.8	6.1	5.3	4.6
151.0	6.6	5.9	5.5	5.7	5.0	4.8	5.7	5.0	4.6
157.0	6.2	5.5	-	5.5	4.6	4.6	5.5	4.8	4.4
164.0	5.0	5.2	-	5.2	4.4	4.4	5.0	4.8	4.4
170.0	4.2	4.8	-	4.8	4.2	4.2	4.8	4.6	4.2
177.0	3.3	3.7	-	4.6	3.9	3.9	4.4	4.4	4.1
184.0	2.6	3.0	-	3.9	3.7	-	3.7	4.1	-
190.0	-	2.2	-	3.3	3.5	-	2.9	3.9	-
197.0	-	-	-	2.6	3.2	-	2.1	3.0	-
203.0	-	-	-	-	2.6	-	-	2.4	-

*) 164.0 ft main boom