



Supercharge Your High-Rise Construction Project

Innovative material handling solutions that reduce labor costs and speed up the job site.

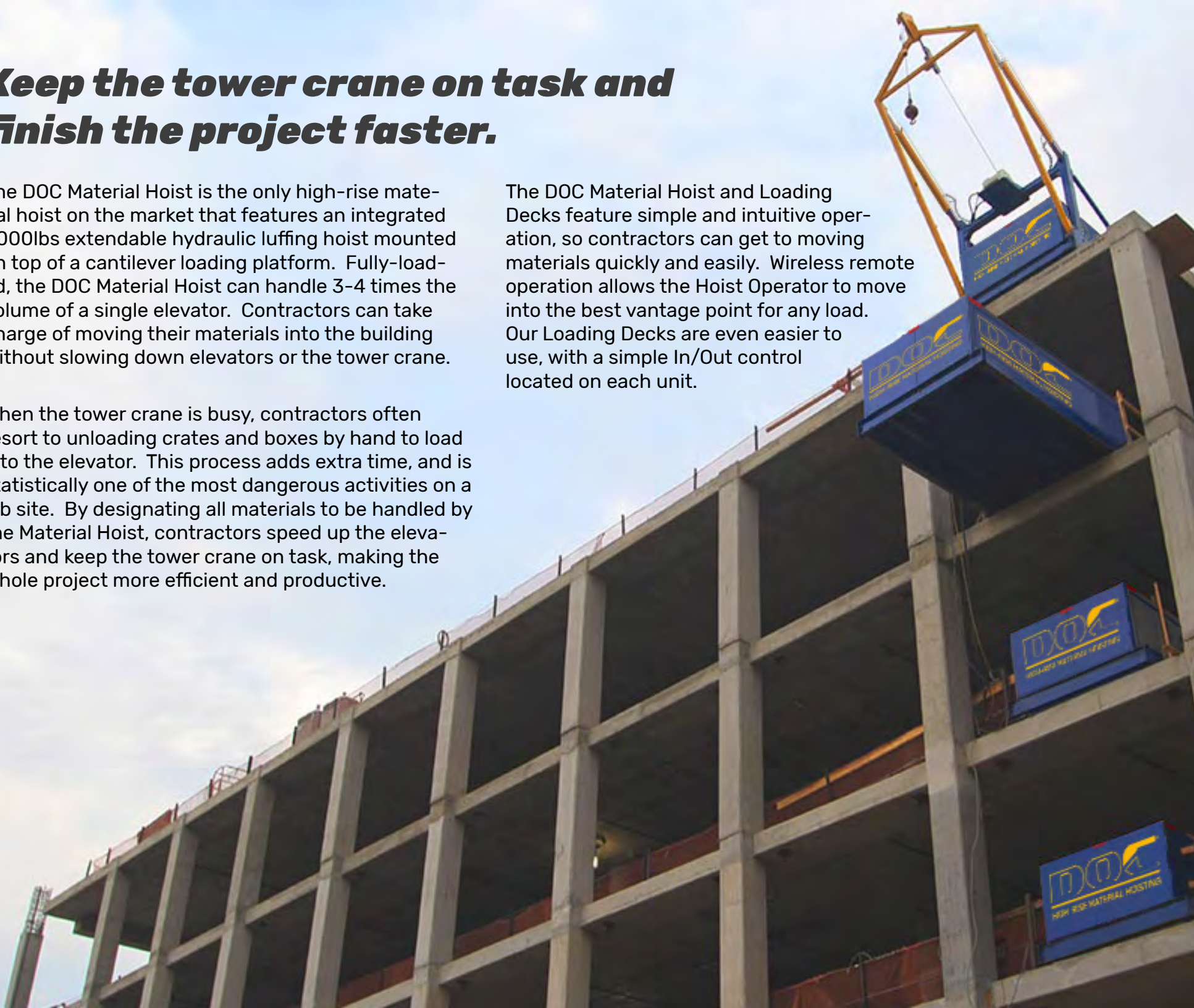
DOC[®]
HIGH-RISE MATERIAL HOISTING

Keep the tower crane on task and finish the project faster.

The DOC Material Hoist is the only high-rise material hoist on the market that features an integrated 8000lbs extendable hydraulic luffing hoist mounted on top of a cantilever loading platform. Fully-loaded, the DOC Material Hoist can handle 3-4 times the volume of a single elevator. Contractors can take charge of moving their materials into the building without slowing down elevators or the tower crane.

When the tower crane is busy, contractors often resort to unloading crates and boxes by hand to load into the elevator. This process adds extra time, and is statistically one of the most dangerous activities on a job site. By designating all materials to be handled by the Material Hoist, contractors speed up the elevators and keep the tower crane on task, making the whole project more efficient and productive.

The DOC Material Hoist and Loading Decks feature simple and intuitive operation, so contractors can get to moving materials quickly and easily. Wireless remote operation allows the Hoist Operator to move into the best vantage point for any load. Our Loading Decks are even easier to use, with a simple In/Out control located on each unit.





***When it comes to moving materials,
the sky is the limit with DOC.***

A high-rise construction project typically requires two streams of materials: one stream is making the structure taller, the other stream is completing lower floors. The tower crane can only focus on one task at a time without slowing the whole project down. Using a DOC for handling finishing materials takes the pressure off the tower crane and construction elevators, and making the whole job site run more efficiently.

When the tower crane stays on-task building the structure taller, you finish faster. That's why we made the DOC capable of moving heavy, large finishing materials like curtainwall that would normally take time away from the tower crane.

The DOC Material Hoist features an extendable luffing boom, capable of handling and maneuvering long loads like pipe and curtainwall. Gates open at the end of our cantilever Loading Decks to allow these long loads to be maneuvered easily into floors.

Installing the Material Hoist and Decks is simple, and a whole system is usually installed in just a few hours. The Material Hoist can be installed on the roof or inner-floor of a high-rise construction project. This allows the Hoist to move upward as the building grows. Decks can be easily repositioned underneath to adapt to changing material demands.

Keeping materials and waste out of the elevators increases productivity and safety across the entire workforce. A team of 5 or more laborers would be needed to effectively unload a full truckload of bulky materials. Using a DOC, this same task can be completed with 3 laborers in a fraction of the time and less risk of injury.

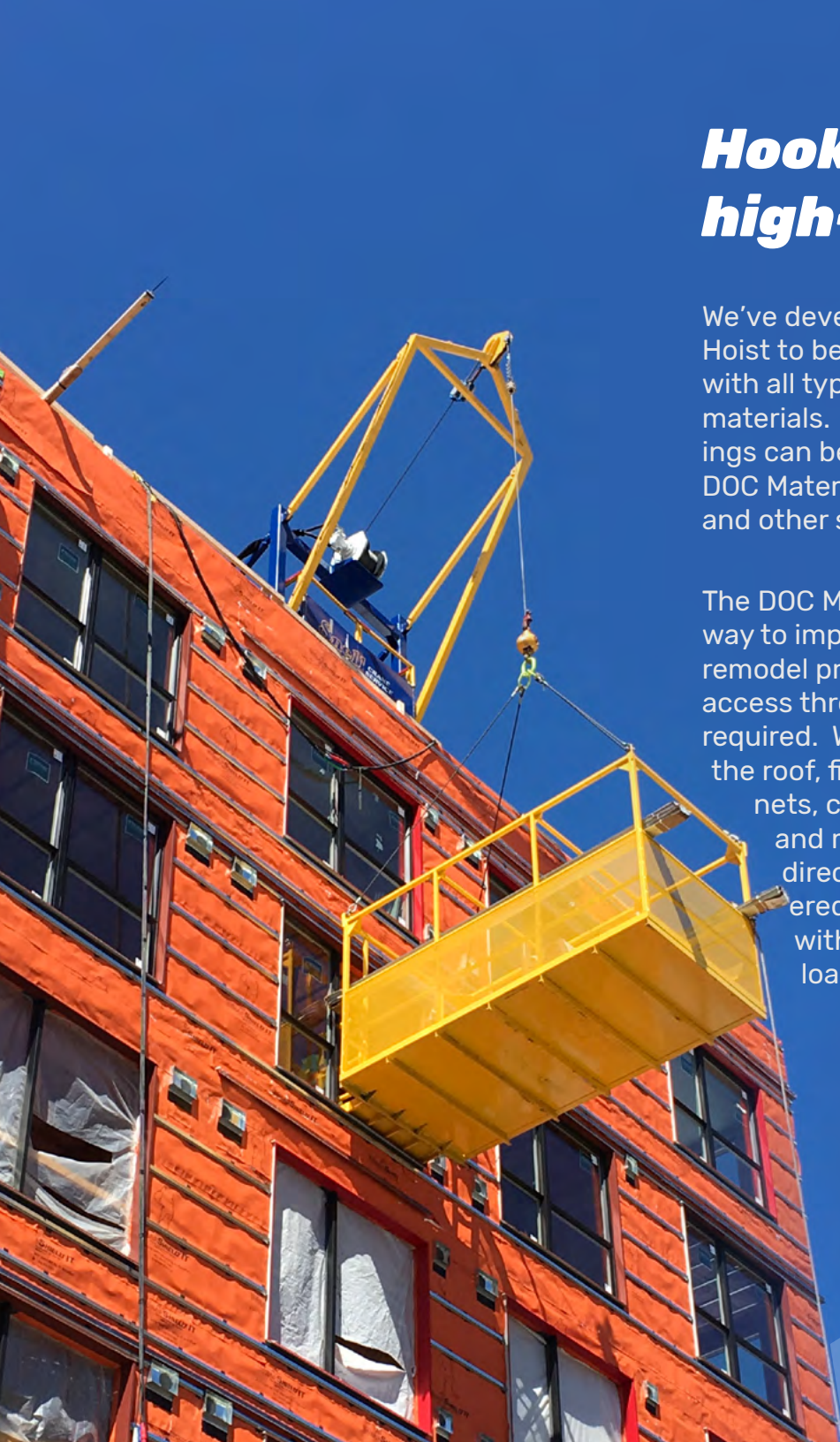
Hook access on any floor of a high-rise construction project.

We've developed the DOC Material Hoist to be as compatible as possible with all types of construction framing materials. Even wood-framed buildings can be fitted with a light-weight DOC Material Hoist for renovation work and other specialized tasks.

The DOC Material Basket is a great way to improve material handling on remodel projects, or in situations where access through window openings is required. With a DOC Hoist installed on the roof, finishing materials like cabinets, countertops, tile, electrical and mechanical can be unloaded directly from trucks and delivered straight to floors below without unboxing and hand loading.

Adding a DOC Hoist and Material Basket can increase material handling capabilities by over 300% compared to an elevator, or 500% over stairs.

It's simple: the more you utilize a DOC, the more it will save on more expensive labor.



Outperforms any elevator



Made in the USA

DOC equipment is manufactured with quality steel and components right here in the USA, with a service and support team built to match. Give us a call to speak with a DOC specialist today.

	P (lbs)		Max Boom Extension = 14'-0"		
	1000	2000	4000	6000	8000
R1	650	1400	2900	4300	5800
R2	6500	8200	11500	14900	18200
W	180	270	450	625	800

P = Safe lifting load (lbs), including any rigging, cables, hooks, etc.

R1 = Minimum anchorage/uplift load (lbs) at support (neg signifies that shoring below is required)

R2 = Minimum reaction/compression load (lbs) at support

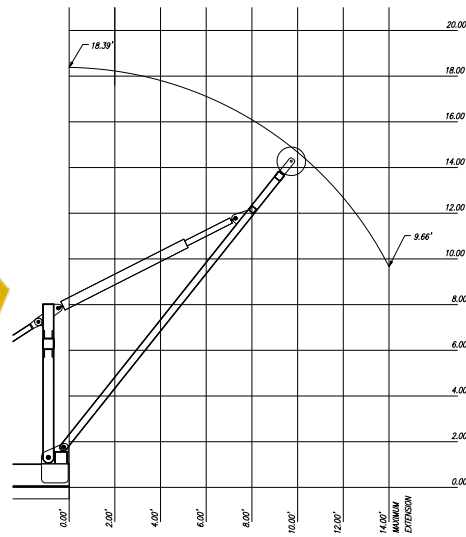
W = Maximum pressure (psf) caused by the steel plate and wheels to an area of 2ftx7ft between the main beams.

Reactions R1 & R2 are per main beams.
Reactions assume 25% impact and a factor of safety of 1.50 applied at the pick load.

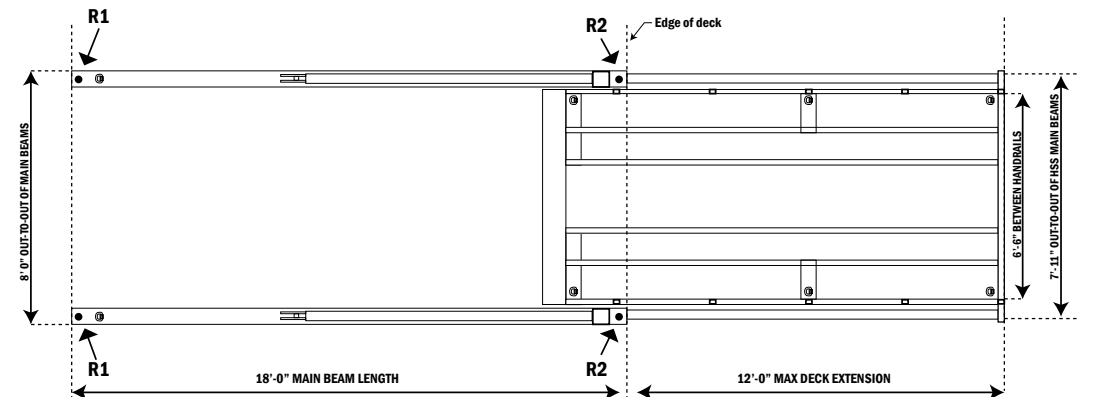
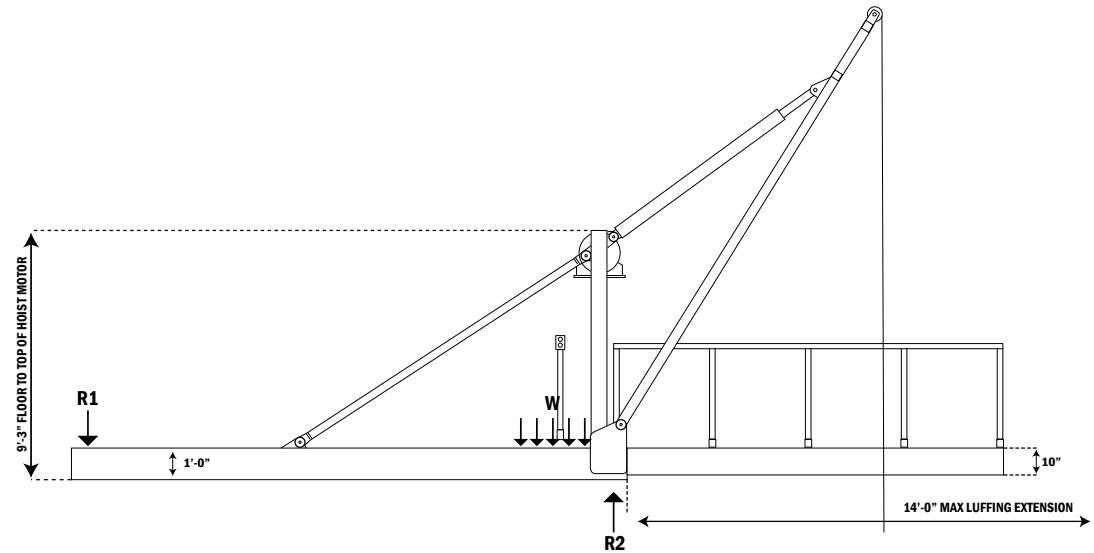
Total weight of hoist is approximately 12,500 lbs (including 5% incidental weight for misc. attachments/hardware).

POWER REQUIREMENTS:

Hoist: 480 volt 3-phase 100Amp
Deck: 110 volt Single-phase 15Amp

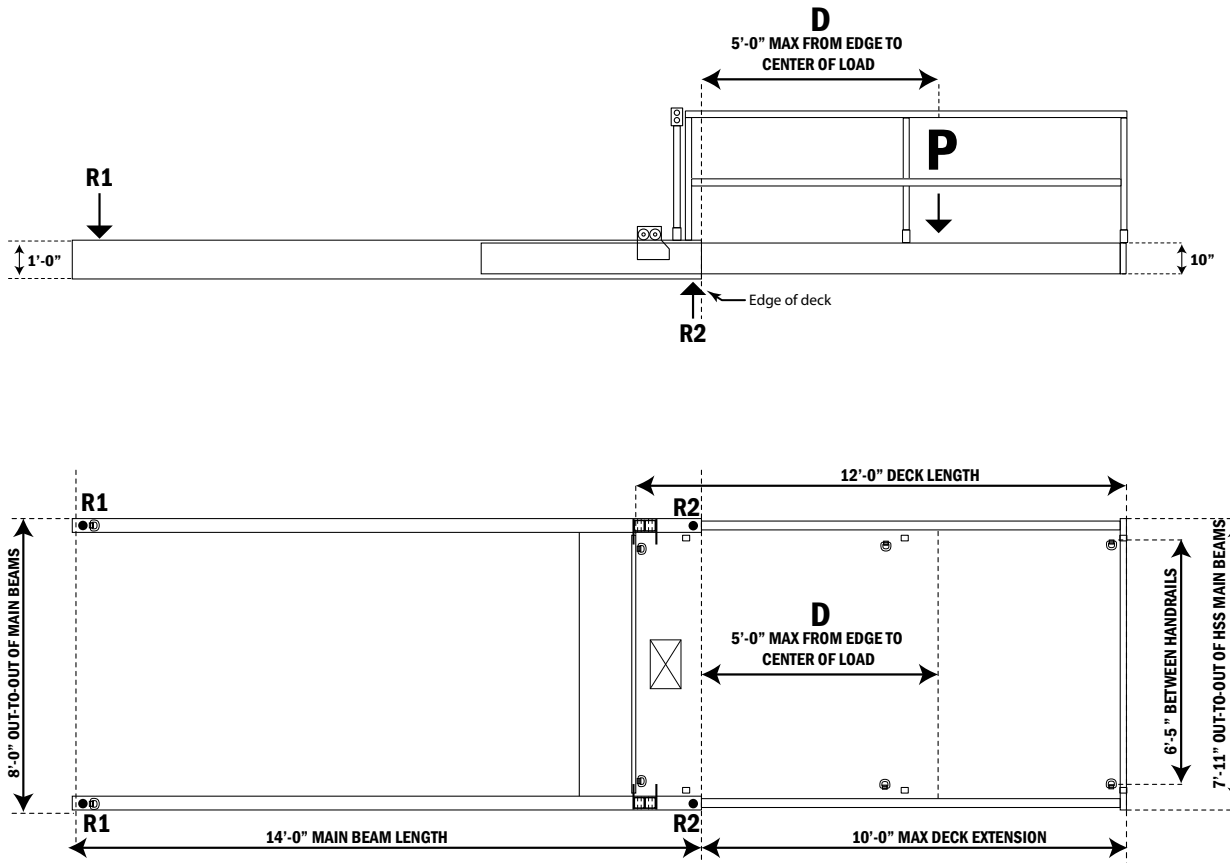


HOIST RANGE DIAGRAM



The information contained on this specification sheet comes from sources including the operator's manual, manufacturer, and relevant engineers. Due to continuous product improvements, specifications are subject to change without notice. For full terms and conditions of equipment rental please visit www.dochoist.com or call us at (360) 359-7147.

10,000lbs Maximum Capacity
 6.5ft Inside Width
 12ft Deck Length
 10ft Maximum Extension



	P (lbs)				
	2000	4000	6000	8000	10000
R1	930	1600	2300	3000	3700
R2	5200	7800	10300	12900	15400

Expanded load chart available upon request with exception load capacity.

P= Safe carrying capacity (lbs), including any rigging, cables, hooks, etc.

R1= Minimum anchorage/uplift load (lbs) at support (neg signifies that shoring below is required)

R2= Minimum reaction/compression load (lbs) at support

D= Maximum distance from edge of building to center of load 5ft unless shown otherwise.

Reactions R1 & R2 are per main beams.

Reactions assume 25% impact and a factor of safety of 1.50 applied at the pick load.

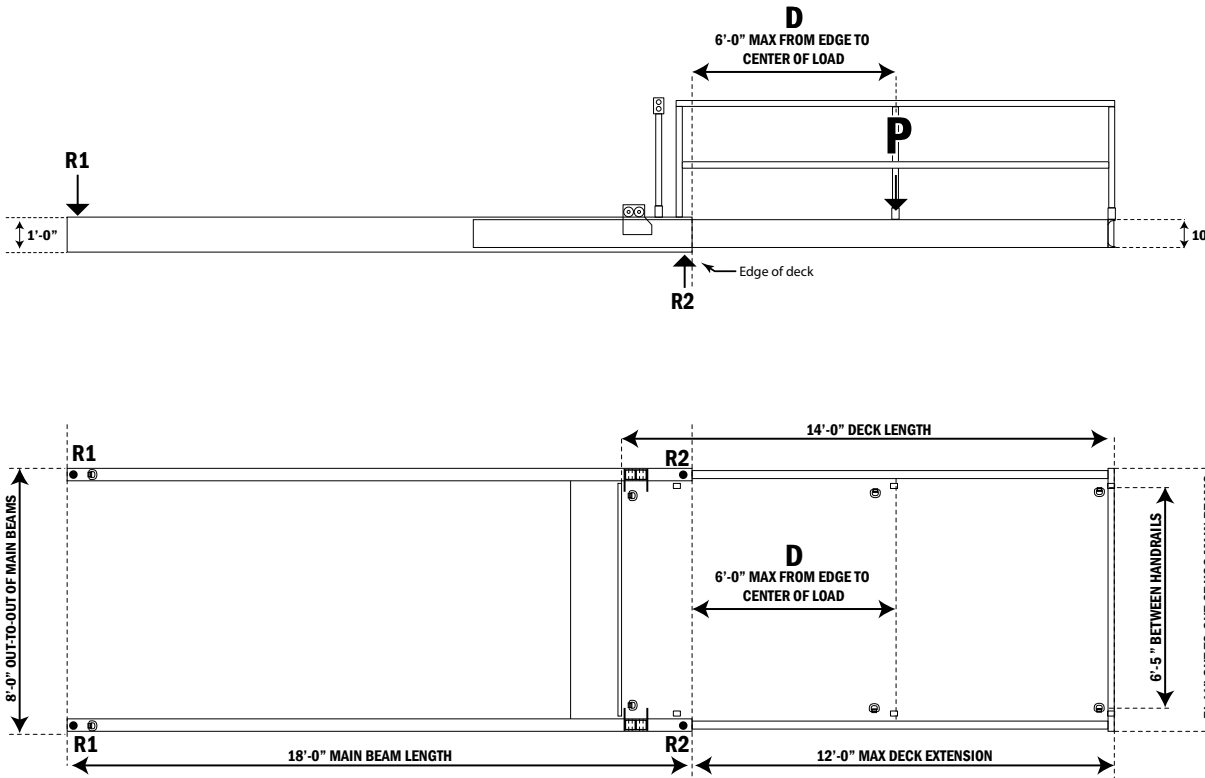
Total weight of platform is approximately 6,800 lbs (including 5% incidental weight for misc. attachments/hardware).

POWER REQUIREMENTS: 110 volts, 15 amps



The information contained on this specification sheet comes from sources including the operator's manual, manufacturer, and relevant engineers. Due to continuous product improvements, specifications are subject to change without notice. For full terms and conditions of equipment rental please visit www.dochoist.com or call us at (360) 359-7147.

10,000lbs Maximum Capacity
 6.5ft Inside Width
 14ft Deck Length
 12ft Maximum Extension



	P (lbs)				
	2000	4000	6000	8000	10000
R1	900	1500	2200	2800	3400
R2	5400	7900	10400	12900	15400

Expanded load chart available upon request with exception load capacity.

P = Safe carrying capacity (lbs), including any rigging, cables, hooks, etc.

R1 = Minimum anchorage/uplift load (lbs) at support (neg signifies that shoring below is required)

R2 = Minimum reaction/compression load (lbs) at support

D = Maximum distance from edge of building to center of load 6ft unless shown otherwise.

Reactions R1 & R2 are per main beams.

Reactions assume 25% impact and a factor of safety of 1.50 applied at the pick load.

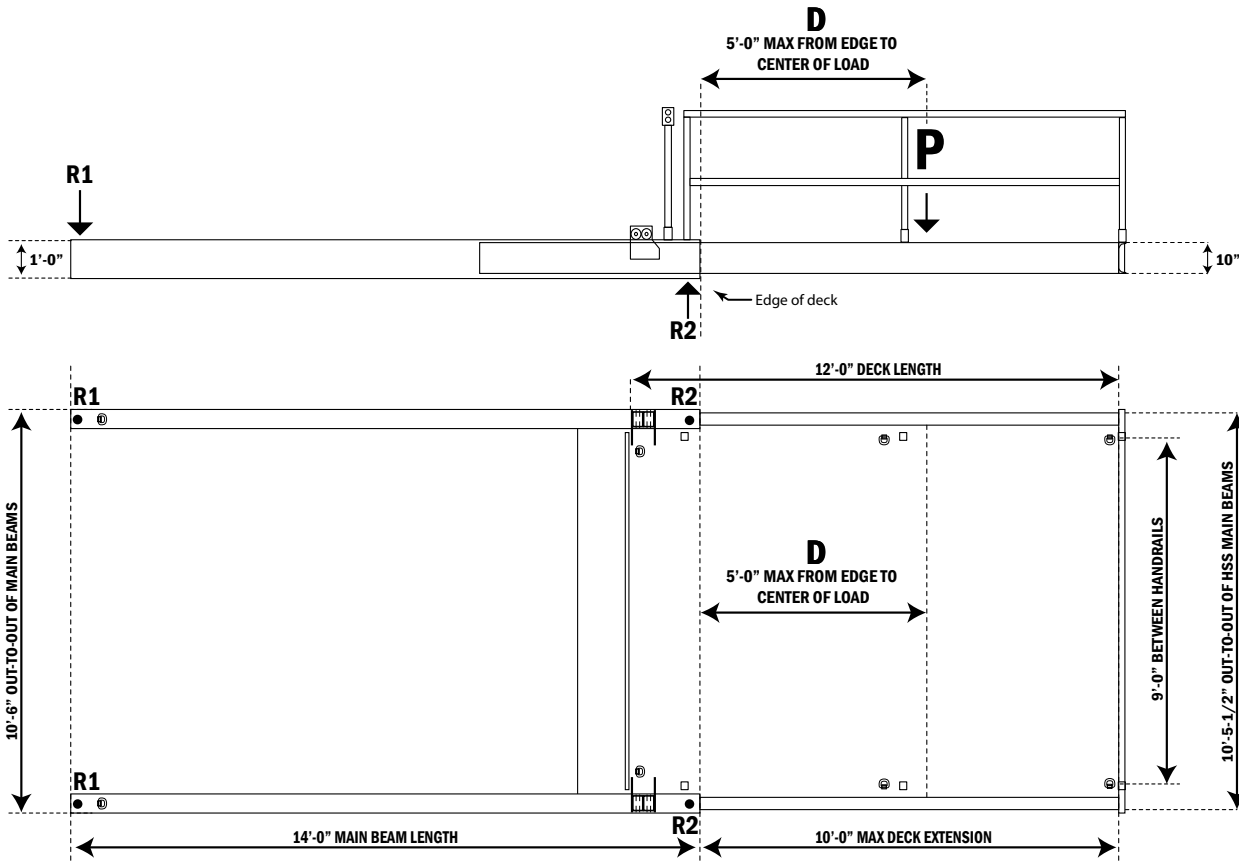
Total weight of platform is approximately 7,300 lbs (including 5% incidental weight for misc. attachments/hardware).

POWER REQUIREMENTS: 110 volts, 15 amps



The information contained on this specification sheet comes from sources including the operator's manual, manufacturer, and relevant engineers. Due to continuous product improvements, specifications are subject to change without notice. For full terms and conditions of equipment rental please visit www.dochoist.com or call us at (360) 359-7147.

10,000lbs Maximum Capacity
 9ft Inside Width
 12ft Deck Length
 10ft Maximum Extension



	P (lbs)				
	2000	4000	6000	8000	10000
R1	1100	1700	2400	3100	3700
R2	5700	8200	10800	13300	15900

Expanded load chart available upon request with exception load capacity.

P = Safe carrying capacity (lbs), including any rigging, cables, hooks, etc.

R1 = Minimum anchorage/uplift load (lbs) at support (neg signifies that shoring below is required)

R2 = Minimum reaction/compression load (lbs) at support

D = Maximum distance from edge of building to center of load 5ft unless shown otherwise.

Reactions R1 & R2 are per main beams.
 Reactions assume 25% impact and a factor of safety of 1.50 applied at the pick load.

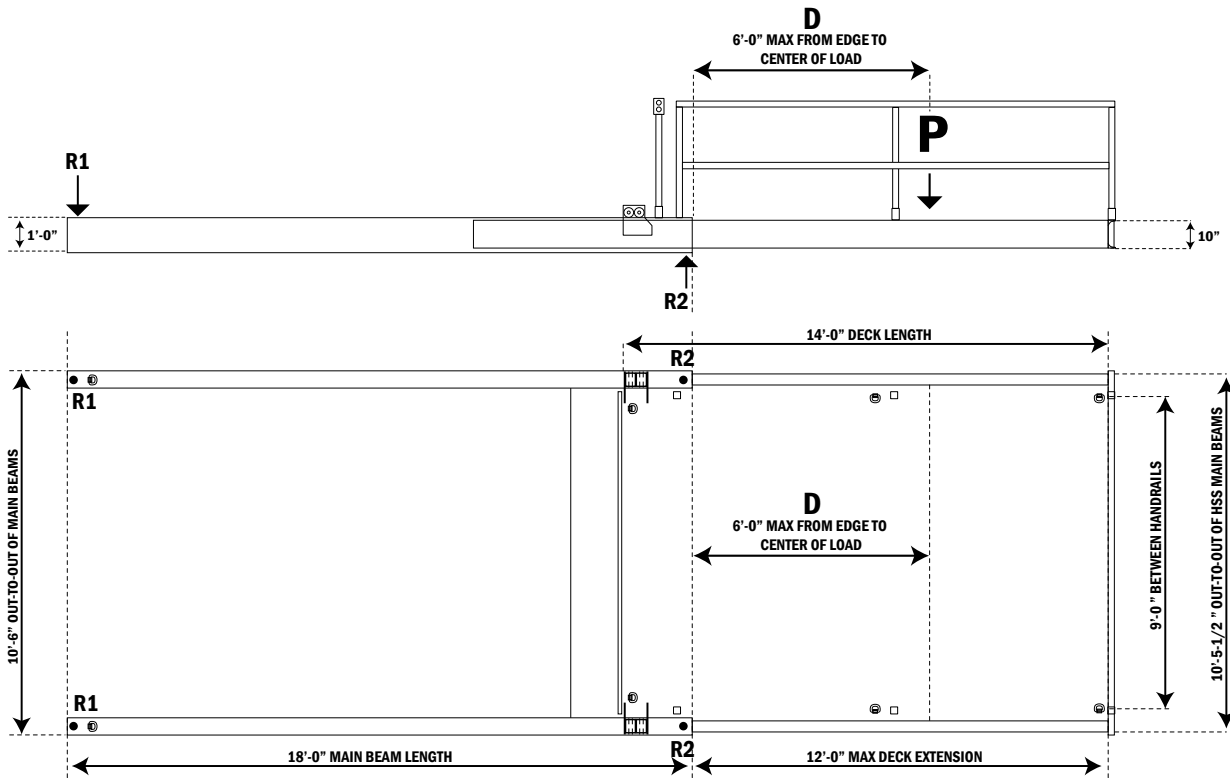
Total weight of platform is approximately 5,200lbs (including 5% incidental weight for misc. attachments/hardware).

POWER REQUIREMENTS: 110 volts, 15 amps



The information contained on this specification sheet comes from sources including the operator's manual, manufacturer, and relevant engineers. Due to continuous product improvements, specifications are subject to change without notice. For full terms and conditions of equipment rental please visit www.dochoist.com or call us at (360) 359-7147.

8,000lbs Maximum Capacity
 9ft Inside Width
 14ft Deck Length
 12ft Maximum Extension



	P (lbs)			
	2000	4000	6000	8000
R1	1000	1600	2300	2900
R2	6200	8700	11200	13700

Expanded load chart available upon request with exception load capacity.

P = Safe carrying capacity (lbs), including any rigging, cables, hooks, etc.

R1 = Minimum anchorage/uplift load (lbs) at support (neg signifies that shoring below is required)

R2 = Minimum reaction/compression load (lbs) at support

D = Maximum distance from edge of building to center of load 6ft unless shown otherwise.

Reactions R1 & R2 are per main beams.
 Reactions assume 25% impact and a factor of safety of 1.50 applied at the pick load.

Total weight of platform is approximately 8,500 lbs (including 5% incidental weight for misc. attachments/hardware).

POWER REQUIREMENTS: 110 volts, 15 amps



The information contained on this specification sheet comes from sources including the operator's manual, manufacturer, and relevant engineers. Due to continuous product improvements, specifications are subject to change without notice. For full terms and conditions of equipment rental please visit www.dochoist.com or call us at (360) 359-7147.



+1 (360) 359-7147

info@dochoist.com
www.dochoist.com

DOC MANUFACTURING, INC.
333 Ronlee LN NW
Olympia WA, USA 98502